

# PROJECTOR MOUNT (OPT-PM-109)

## SPECIFICATIONS

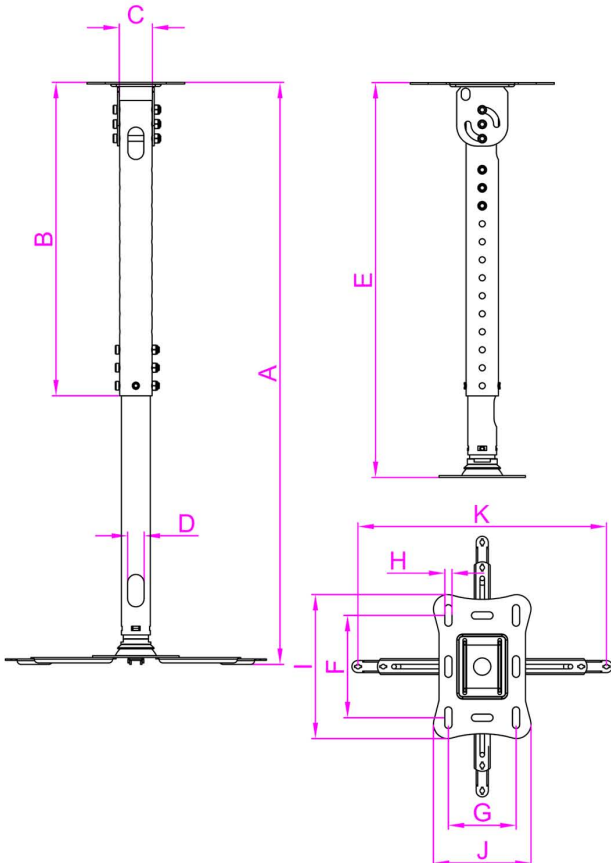
- Compatibility : Fit up to almost 99% of the current projector model
- Maximum load : 20 KG (44 lbs)
- Color : Black
- Qty / Carton : 6 pcs

## KEY FEATURES

- Great flexibility and adaptability
- Pitching upwards, downwards and side ways up to 20 degrees
- 360 degree rotation
- Fast disconnection for ease of maintenance
- Concealed Cable Management System
- Standard adjustable length from 22.83" (580.0mm) to 31.71" (805.30mm)
- Vaulted or Cathedral Ceiling Mount Capability
- Pre-assembled for ease of installation
- Safety Measure ( 2.0mm Thickness pipe)



## DRAWINGS & DIMENSIONS



## DIMENSIONS

A	31.71"	805.3 mm
B	17.08"	434 mm
C	1.77"	45 mm
D	0.87"	22 mm
E	22.83"	580 mm
F	5.59"	142 mm
G	3.7"	94 mm
H	0.39"	10 mm
I	7.87"	200 mm
J	5.35"	136 mm
K	13.58"	345 mm

### Pitch



### 360 degree rotate



### Fast Disconnect



### Security Lock

